



## 1501

Wheel Dumpers



### Still more possibilities – 1501.

The 1,500 kg payload and optional swivel tipping skip enhance the range and variety of the dumper's applications. Even in very confined spaces, materials can be dumped precisely.

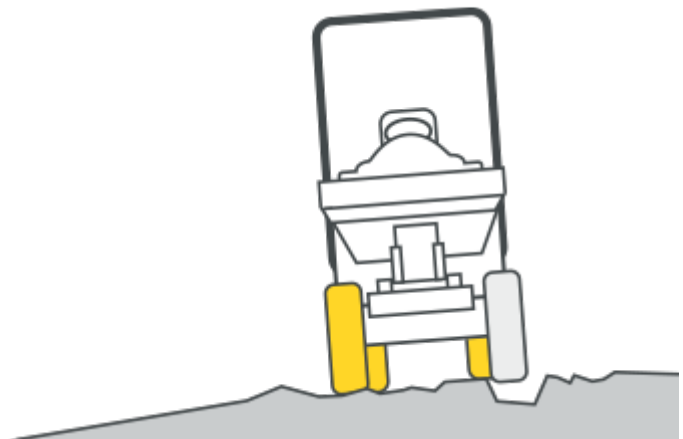
- High-tipping skip (1.45 m dumping height); optional swivel tipping skip, maximum payload 1,500 kg.
- Hydrostatic twin-lock four-wheel drive.
- Continuously variable speed up to 16 km/h max.
- Large service and maintenance access.
- Clearly laid out instrument panel and wide, robust leg protection.



#### Twin Lock-Drive System

On highly uneven surfaces, one wheel loses traction at some point and rotates freely. The Twin Lock all-wheel drive system from Wacker Neuson responds quickly: as each of the four wheels has its own hydraulic motor, power is always optimally distributed.

- All-wheel drive with its own hydraulic motor
- Easy maintenance and cost savings because no changing of gear oil and brake fluid is necessary



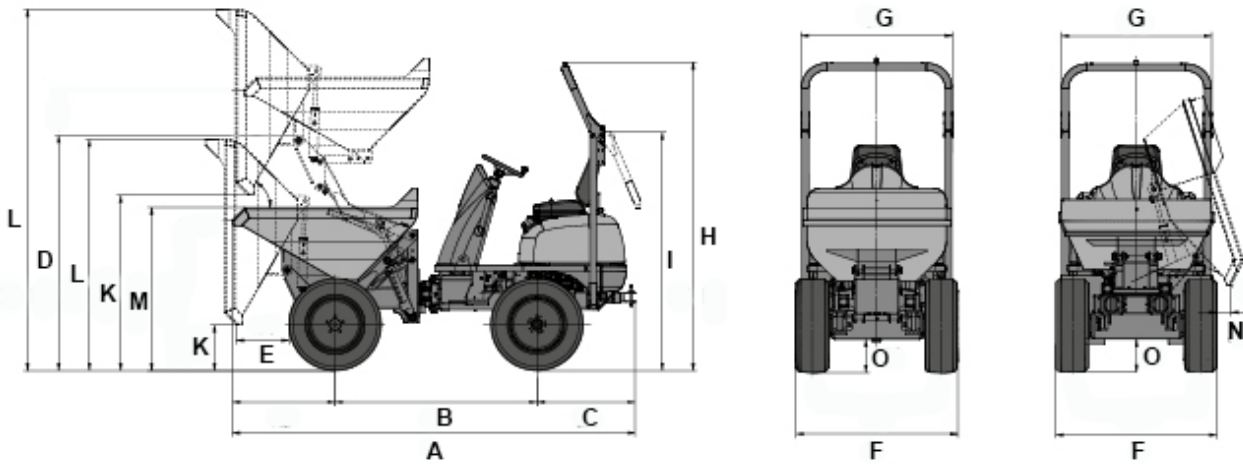


## Technical specifications

	High tip skip	Swivel tip skip
<b>Operating data</b>		
Payload kg	1,500	1,500
Shipping weight kg	1,320	1,261
Skip capacity level I	650	650
Skip capacity heaped I	800	800
<b>Engine / Motor</b>		
Engine / Motor manufacturer	Yanmar	Yanmar
Engine / Motor type	3TNV76	3TNV76
Engine / Motor	Diesel	Diesel
Engine performance acc. to ISO 3046/1 kW	17	17
Displacement cm <sup>3</sup>	1,116	1,116
Engine RPM rpm	3000	3000
Travel speed km/h	16	16
Articulation angle °	33	33
Pendulum angle °	15	15
Turning radius mm	3,300	3,300
Gradeability %	50	50
Tires	10.00/75-15	10.00/75-15
L x W x H mm	3300 x 1305 x 2550	3220 x 1305 x 2550
Steering pump	axial piston pump	axial piston pump
Flow rate l/min	135	135
Operating pressure bar	360	360
Duty pump	gear pump	gear pump
Flow rate l/min	25	25
Operating pressure bar	170	170
Fuel tank capacity l	20	20
Hydraulic oil tank l	20	20
Sound level (LwA) dB(A)	101	101



Dimensions



High tip skip

Swivel tip skip

**A** Overall length

3,300 mm

3,220 mm

**B** Wheelbase

1,650 mm

1,700 mm

**C** Rear overhang

810 mm



		810 mm
<b>D</b>	Height	
		1,885 mm
		mm
<b>E</b>	Dumping distance	
		400 mm
		280 mm
<b>F</b>	Width	
		1,350 mm
		1,305 mm
<b>G</b>	Skip width	
		1,225 mm
		1,260 mm
<b>H</b>	Height ROPS	
		2,550 mm
		2,550 mm
<b>I</b>	Height ROPS tipped	
		1,960 mm
		1,960 mm
<b>K</b>	Dumping height	
		370 mm
		680 mm
<b>K</b>	Dumping height High tip skip raised	
		1,450 mm
		mm
<b>L</b>	Skip height tipped	



		1,895 mm
		2,250 mm
<b>L</b>	Skip height High tip skip raised	
		2,975 mm
		mm
<b>M</b>	Skip height	
		1,345 mm
		1,300 mm
<b>N</b>	Dumping distance lateral	
		mm
		100 mm
<b>O</b>	Ground clearance	
		260 mm
		260 mm

**Please note**

that product availability can vary from country to country. It is possible that information / products may not be available in your country. More detailed information on engine power can be found in the operator's manual; the stated power may vary due to specific operating conditions.

Subject to alterations and errors excepted. Applicable also to illustrations.

Copyright © 2016 Wacker Neuson SE.