



## DW90

Wheel Dumpers



### Unbeatable off-road: the DW90 wheel dumper

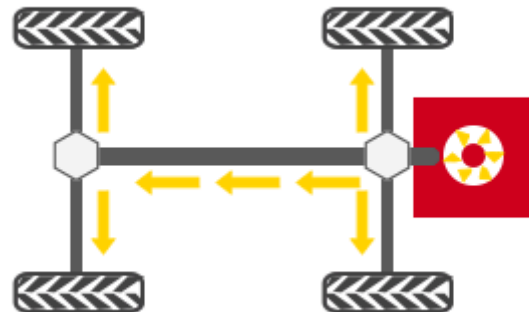
Uneven ground conditions are the area of application where the wheel dumper is most at home. This is where its strengths are displayed to best advantage: hydrostatic all-wheel drive with ECO mode, exceptional off-road capability and extreme gradeability, paired with different skip versions and a wear-free spring-loaded parking brake.

- Maintenance-free hydrostatic all-wheel drive.
- Very good gradeability
- Swivel tip skip optional ex factory
- Maximum payload 9,000 kg
- For maximum comfort. Optionally with air-conditioning system



#### Hydrostatic all-wheel drive

- total focus on the job, no busy shifting of gears
- one central hydraulic engine drives both axles via a cardan shaft
- hydrostatic braking effect as soon as the foot is taken off the accelerator pedal
- low-wear drive for reduced service and maintenance costs
- controlled delay for regulated switching, thus no abrupt change of drive
- accelerate from 0 to maximum speed of 28km/h without traction loss



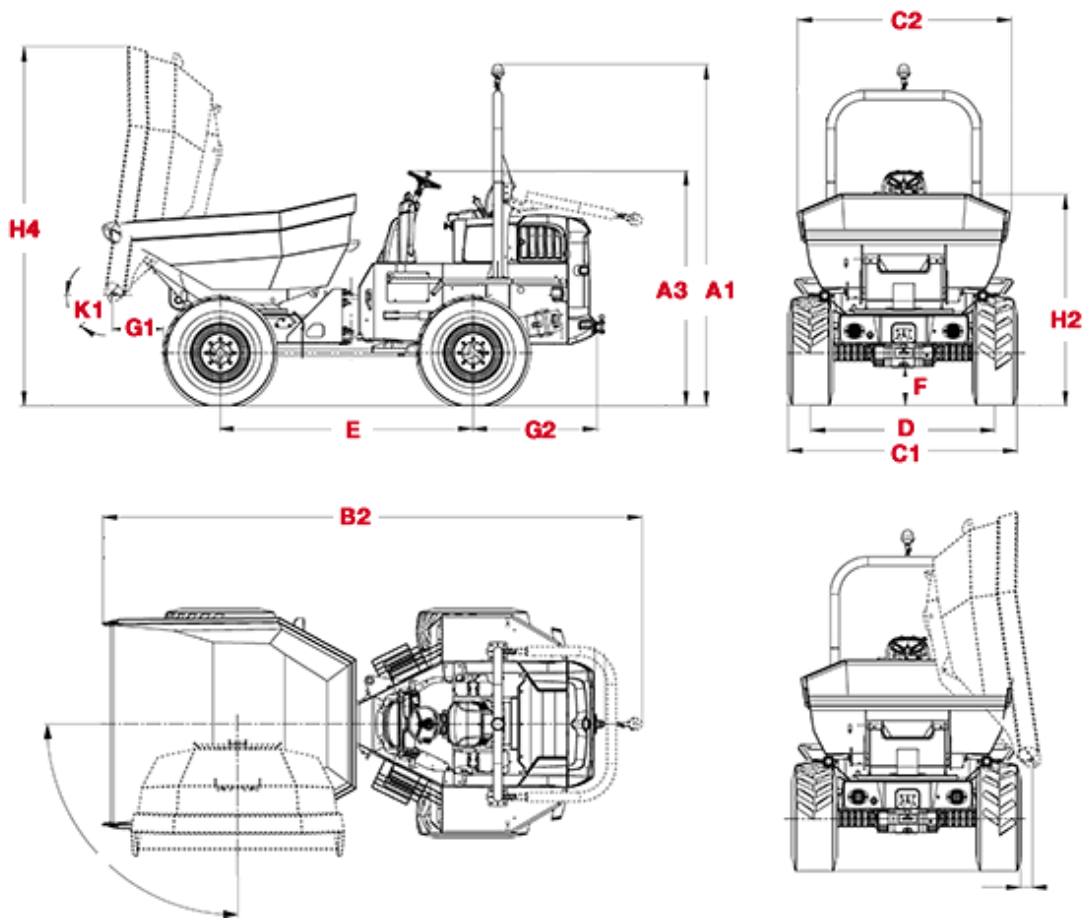


## Technical specifications

|   | DW90 swivel tip skip                                      | DW90 front tip skip                                       |
|---|---|---|
| <b>Operating data</b>                         |   |   |
| Payload kg                                    | 9,000   | 9,000   |
| Net weight kg                                 | 5,611   | 5,183   |
| Shipping weight ROPS kg                       | 5,671   | 5,189   |
| Shipping weight Cabin kg                      | 5,774   | 5,298   |
| Skip capacity struck l                        | 3,300   | 3,750   |
| Skip capacity heaped l                        | 4,400   | 4,550   |
| Skip capacity water volume l                  | 2,060   | 2,400   |
| <b>Engine / Motor</b>                         |   |   |
| Engine / Motor manufacturer                   | Perkins   | Perkins   |
| Engine / Motor type                           | 854E  | 854E  |
| Engine / Motor                                | water-cooled 4-cylinder turbo-diesel<br>incl. intercooler | water-cooled 4-cylinder turbo-diesel<br>incl. intercooler |
| Engine performance according to ISO 3046/1 kW | 55  | 55  |
| Displacement cm <sup>3</sup>                  | 3,400   | 3,400   |
| Engine RPM rpm                                | 2200  | 2200  |
| Emissions                                     | Level 3b/Tier 4 final                                     | Level 3b/Tier 4 final                                     |
| Traction drive                                | 4WD, hydrostatic incl. ECO mode                           | 4WD, hydrostatic incl. ECO mode                           |
| Travel speed km/h                             | 25  | 25  |
| Articulation angle °                          | 29  | 29  |
| Pendulum angle °                              | 11  | 11  |
| Turning radius mm                             | 6,550   | 6,000   |
| Gradeability %                                | 50  | 50  |
| Tires   | 500/60-22.5   | 500/60-22.5   |
| L x W x H mm                                  | 5185 x 2465 x 2545  | 4760 x 2465 x 3165  |
| Steering pump                                 | Axial piston pump   | Axial piston pump   |
| Flow rate l/min                               | 171   | 171   |
| Operating pressure bar                        | 450   | 450   |
| Duty pump                                     | Gear pump   | Gear pump   |
| Flow rate l/min                               | 68  | 68  |
| Operating pressure bar                        | 235   | 235   |
| Tank capacity l                               | 83  | 83  |
| Hydraulic oil tank l                          | 60  | 60  |



Dimensions



DW90 swivel tip skip

DW90 front tip skip

|           |               |          |
|-----------|---------------|----------|
| <b>E</b>  | Wheelbase     | 2,700 mm |
|           |               | 2,700 mm |
| <b>G2</b> | Rear overhang | 1,190 mm |
|           |               | 1,190 mm |
| <b>C2</b> | Skip width    | 2,275 mm |



|           |                    |          |
|-----------|--------------------|----------|
|           |                    | 2,495 mm |
| <b>A1</b> | Height ROPS        |          |
|           |                    | 3,355 mm |
|           |                    | 3,165 mm |
| <b>A3</b> | Height ROPS tilted |          |
|           |                    | 2,545 mm |
|           |                    | 2,355 mm |
| --        | Height Cabine      |          |
|           |                    | 3,245 mm |
|           |                    | 3,055 mm |
| <b>H4</b> | Skip height tilted |          |
|           |                    | 3,865 mm |
|           |                    | 2,755 mm |
| <b>H2</b> | Skip height        |          |
|           |                    | 2,305 mm |
|           |                    | 2,250 mm |
| <b>F</b>  | Ground clearance   |          |
|           |                    | 406 mm   |
|           |                    | 406 mm   |
| <b>B2</b> | Length             |          |
|           |                    | 5,185 mm |
|           |                    | 4,760 mm |



**WACKER  
NEUSON**  
*all it takes!*

**Please note**

that product availability can vary from country to country. It is possible that information / products may not be available in your country. More detailed information on engine power can be found in the operator's manual; the stated power may vary due to specific operating conditions.

Subject to alterations and errors excepted. Applicable also to illustrations.

Copyright © 2016 Wacker Neuson SE.