



**WACKER
NEUSON**
all it takes!

ET145

Tracked Conventional Tail Excavators



ET145 - The champion of the compact excavators.

Wacker Neuson's ET145 offers massively enhanced performance, without the size of the excavator ever posing a problem. Its performance, stability, and agility are perfectly balanced.

- High tonnage with compact dimensions.
- Tail-swing console and side-mounted boom cylinder for a small front swing radius.
- Engine at rear and side-mounted hydraulic control block for unimpeded view to the right.
- The high-performance hydraulics enables spontaneous actuation of the hydraulic functions and maximum working speed.
- Spacious and user friendly designed cab with air-conditioning as standard.



Technical specifications

Operating data

Shipping weight min.	14,917 kg
Operating weight min.	15,551 kg
Biting force max.	69 kN
Breakaway force max.	91 kN
Digging depth max.	5,481 mm
Dumping height	5620 - 5983 mm
Digging radius max.	8,727 mm
Superstructure slewing speed	11.6 1/min
L x W x H	7720 x 2490 x 2786 mm

Engine / Motor

Engine / Motor manufacturer	Perkins
Engine / Motor type	854F-E34TAWF
Engine / Motor	4-cylinder turbo diesel engine with water cooling
Displacement	3,400 cm ³
RPM / speed max., without load	2,050 rpm
Engine performance acc. to ISO	55.1 kW
Battery	120 Ah
Tank capacity	205 l
Voltage	12 V
Input current	120 A

Hydraulic system

Duty pump	2 variable pumps, 2 gear wheels
Operating pressure for working and traction hydraulics	340 bar
Operating pressure Slewing gear	320 bar
Hydraulic oil tank	110 l

Wheel set

Travel speed max.	5 km/h
Chain width	500 mm
Ground clearance	480 mm

Dozer Blade

Width	2,490 mm
Height	600 mm
Stroke Dozer blade above ground	531 mm

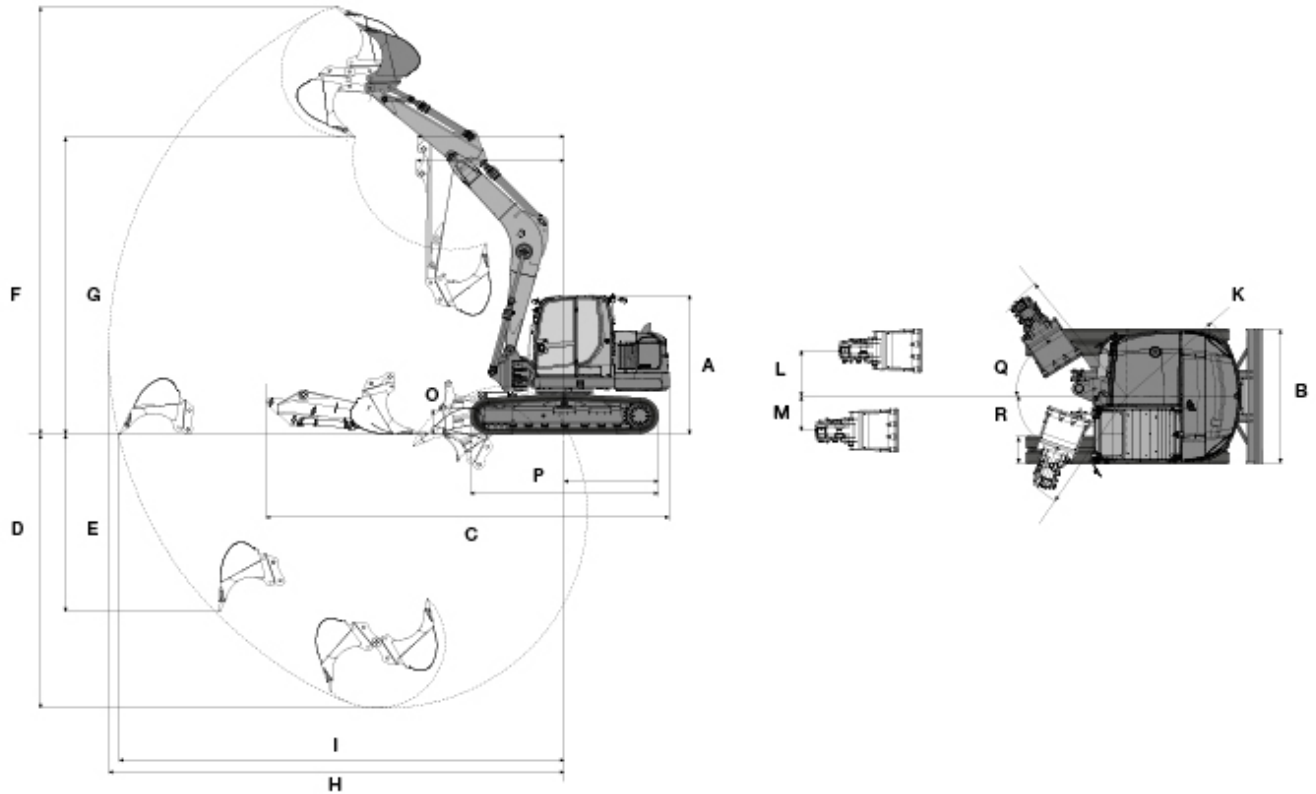


**WACKER
NEUSON**
all it takes!

Stroke Dozer blade below ground	495 mm
Sound level	
Sound level (LWA) acc. to 2000/14/EC	99 dB(A)
Cabin - specified sound pressure level LpA acc. to ISO 6394	75 dB(A)



Dimensions



Rubber / steel track

Hybrid track

A	Height	2,786 mm
		2,825 mm
B	Width	2,490 mm
		2,490 mm
C	Transport length (short bucket arm)	7,720 mm



		7,698 mm
C	Transport length (long bucket arm)	
		7,788 mm
		7,769 mm
D	Digging depth max. (short bucket arm)	
		4,981 mm
		4,942 mm
D	Digging depth max. (long bucket arm)	
		5,481 mm
		5,442 mm
E	Insertion depth max. vertical (short bucket arm)	
		3,089 mm
		3,050 mm
E	Insertion depth max. vertical (long bucket arm)	
		3,550 mm
		3,511 mm
F	Insertion height max. (short bucket arm)	
		8,228 mm
		8,267 mm
F	Insertion height max. (long bucket arm)	
		8,552 mm
		8,591 mm
G	Dumping height max. (short bucket arm)	
		5,620 mm
		5,659 mm
G	Dumping height max. (long bucket arm)	



		5,945 mm
		5,983 mm
H	Digging radius max. (short bucket arm)	
		8,261 mm
		8,262 mm
H	Digging radius max. (long bucket arm)	
		8,727 mm
		8,727 mm
I	Range max. span on the ground (short bucket arm)	
		8,044 mm
		8,032 mm
I	Range max. span on the ground (long bucket arm)	
		8,527 mm
		8,515 mm
K	Rear swivel radius	
		2,017 mm
		2,018 mm
L	Arm displacement max. boom offset to centre of bucket right side	
		846 mm
		846 mm
M	Arm displacement max. boom offset to centre of bucket left side	
		638 mm
		638 mm
O	Lift height	
		493 mm
		532 mm



--	Scraping depth	531 mm
		492 mm
P	Length track	3,604 mm
		3,662 mm
Q	Turning angle max. - boom arm to the right	57 °
		57 °
R	Turning angle max. - boom arm to the left	70 °
		70 °
--	Chain width	500 mm
		500 mm
--	Boom slewing radius	2,643 mm
		2,643 mm
--	Boom slewing radius	2,322 mm
		2,322 mm



**WACKER
NEUSON**
all it takes!

Please note

that product availability can vary from country to country. It is possible that information / products may not be available in your country. More detailed information on engine power can be found in the operator's manual; the stated power may vary due to specific operating conditions.

Subject to alterations and errors excepted. Applicable also to illustrations.

Copyright © 2016 Wacker Neuson SE.