



3-100HE

Carriers

For 4-6 ton excavators
Or 1-2 ton loaders.

Hydraulics

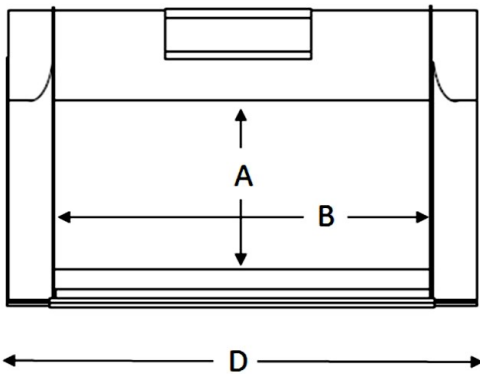
Flow 65 l/m
Pressure 200 bar

Weight

360 Kg

Capacity

0.23 m³

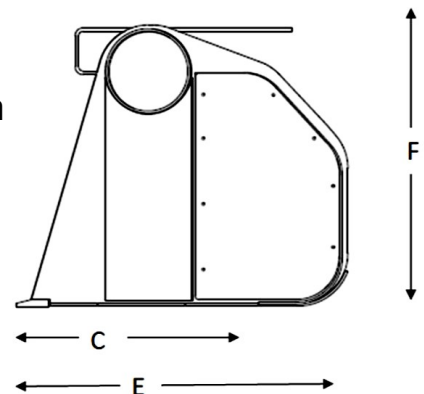


Screening area

430 mm x 1000 mm

Dimensions (mm)

A 430 B 1000
C 500 D 1250
E 760 F 640



Fast efficient screening systems



True compact screening

Low maintenance bucket

Poly stars which screen without crushing

Large screening area to maximise output